



● **FEATURES 特性**

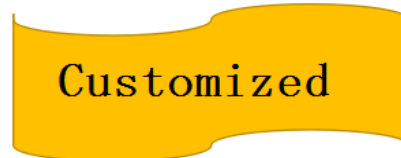
1. Low back design, less magnetic leakage, excellent EMI performance;
2. Open structure, good heat dissipation effect;
3. High standard design, meet aEC-Q200 reliability standard;
4. Operating Temp. : -40°C ~ +125°C (Including self-heating).

● **APPLICATIONS 用途**

1. AC-DC and DC-DC adapters are available and can also be used as filters
2. Widely used in low power supply and LED driver.
3. We can customize products according to your requirements. Please consult our sales.

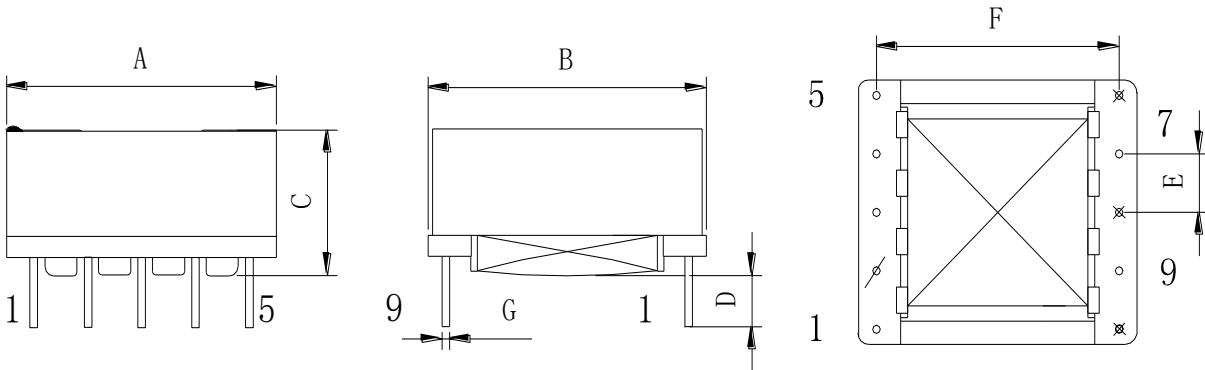
● **PART NUMBERING SYSTEM 品名系统**

ACKEFD 15- 1mH / Min - □□□□



SERIAL CODE
TOLERANCE
INDUCTANCE
SIZE CODE
SERIES NAME

● **SHAPES AND DIMENSIONS 外形尺寸 (Unit:mm)**



TYPE(型号)	A	B	C	D	E	F	G
ACKEFD25	27.0Max	28.0Max	13.0Max	4.0±0.5	5±0.3	22.45±0.5	0.8±0.1
ACKEFD30	32.0Max	33.0Max	14.0Max	4.0±0.5	5±0.3	27.4±0.5	0.8±0.1